

NOTES:

1. MATERIAL:

HSG: PCT, 30% GLASS FILLED,UL 94V-0, COLOUR BLACK.

PIN: 0.50MM SQ PHOSPHOR BRONZE 510

△2. PLATING:

***6 - 0.38um MIN GOLD IN CONTACT AREA, 1.90um MIN TIN IN SOLDERTAIL AREA, BOTH OVER 1.27um MIN NICKEL OVERALL

***7 - 0.76um MIN GOLD IN CONTACT AREA, 1.90um MIN TIN IN SOLDERTAIL AREA, BOTH OVER 1.27um MIN NICKEL OVERALL

***8 - 2.54um MIN TIN OVER 1.27um MIN NICKEL OVERALL

3. 12 CKT USED FOR ILLUSTRATION ONLY

4. PART TO BE PACKED IN POCKET TRAY.

5. PRODUCT SPEC PS-87761-100 APPLIES.

6. RECOMMENDED PCB BOARD THK 1.60±0.10 MM.

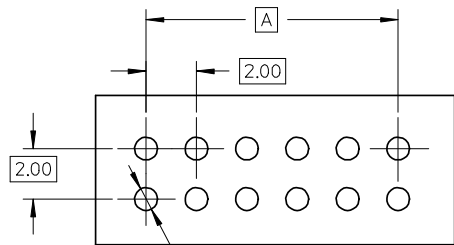
△7. MATING LENGTH: 1 - 4.00MM
2 - 3.50MM
3 - 3.06MM

LEGEND:

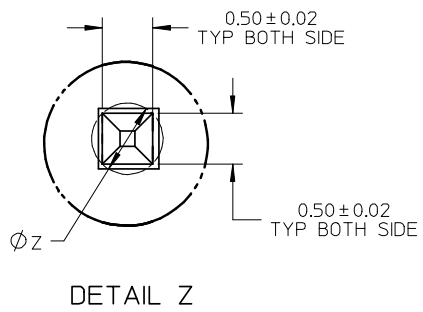
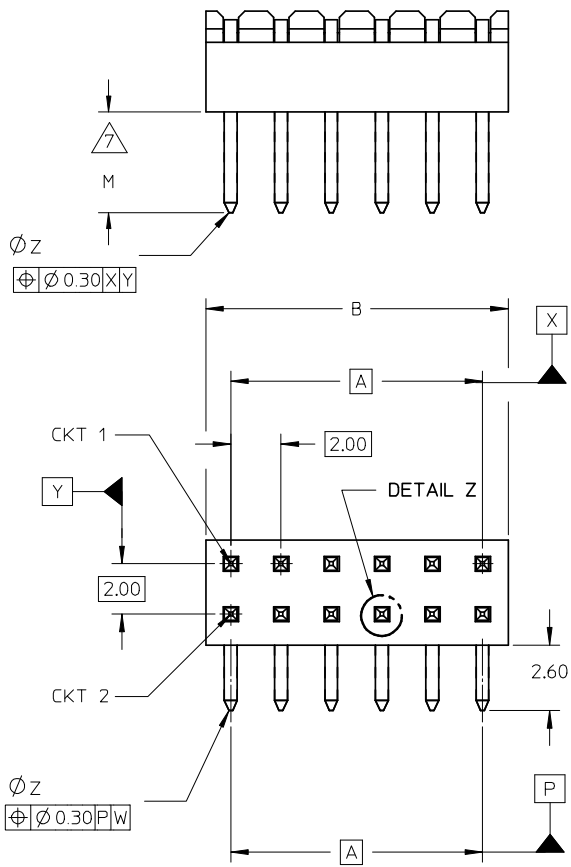
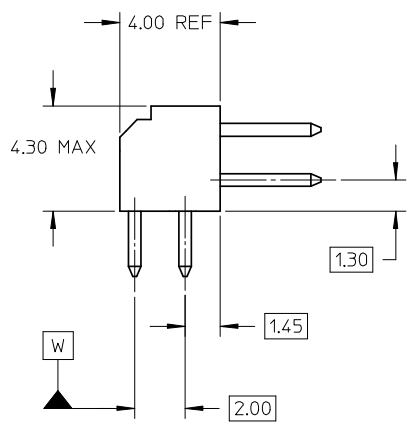
87760 - * * * *

CKT SIZE (SEE SHT 3) PLATING OPTION △2 (SEE NOTE 2)

 MATING OPTION △7



RECOMMENDED PCB LAYOUT



REVISED EC NO: S2008-0560 DRWN:SKANG CHKD:ATSEE APPR:MLONG	2008/02/28 2008/02/29 2008/02/29	QUALITY SYMBOLS ▽=0 ∇=0	GENERAL TOLERANCES (UNLESS SPECIFIED)		DIMENSION STYLE MM ONLY	SCALE NTS	DESIGN UNITS METRIC	THIRD ANGLE PROJECTION			
			mm	INCH	DRAWN BY KSEE	DATE 2003/10/15	TITLE MGRID, 2MM DUAL ROW HDR. R/A				
A10	DESCRIPTION	REV	4 PLACES	± ---	± ---	CHECKED BY KCL ING	DATE 2003/12/02	MATERIAL NO. DOCUMENT NO. SHEET NO.			
			3 PLACES	± ---	± ---	APPROVED BY SKTOH	DATE 2003/12/11				
			2 PLACES	± 0.2	± ---	SEE TABLE		MOLEX INCORPORATED		SD-87760-109	1 OF 2
			1 PLACE	± ---	± ---	DRAFT WHERE APPLICABLE MUST REMAIN WITHIN DIMENSIONS		THIS DRAWING CONTAINS INFORMATION THAT IS PROPRIETARY TO MOLEX INCORPORATED AND SHOULD NOT BE USED WITHOUT WRITTEN PERMISSION			
			ANGULAR ± 3 °		SIZE A3						

	10	9	8	7	6	5	4	3	2	1
	PART NUMBER	VOID PIN LOCATION	CKT SIZE	A	B	M				
F	87760-04**	-	04	2.00	4.00	REFER TO NOTE 7.				
	87760-06**	-	06	4.00	6.00					
	87760-08**	-	08	6.00	8.00					
	87760-10**	-	10	8.00	10.00					
	87760-12**	-	12	10.00	12.00					
	87760-14**	-	14	12.00	14.00					
E	87760-16**	-	16	14.00	16.00					
	87760-18**	-	18	16.00	18.00					
	87760-20**	-	20	18.00	20.00					
	87760-22**	-	22	20.00	22.00					
	87760-24**	-	24	22.00	24.00					
	87760-26**	-	26	24.00	26.00					
D	87760-28**	-	28	26.00	28.00					
	87760-30**	-	30	28.00	30.00					
	87760-32**	-	32	30.00	32.00					
	87760-34**	-	34	32.00	34.00					
	87760-36**	-	36	34.00	36.00					
	87760-38**	-	38	36.00	38.00					
C	87760-40**	-	40	38.00	40.00					
	87760-42**	-	42	40.00	42.00					
	87760-44**	-	44	42.00	44.00					
	87760-46**	-	46	44.00	46.00					
	87760-48**	-	48	46.00	48.00					
	87760-50**	-	50	48.00	50.00					
B	87760-5116	5, 6 & 26	50	48.00	50.00					

REVISED EC NO: S2008-0560 DRWN:SKANG 2008/07/28 CHKD:ATSEE 2008/07/29 APPR:MLONG 2008/07/29	QUALITY SYMBOLS =0 =0	GENERAL TOLERANCES (UNLESS SPECIFIED) <table border="1"> <tr> <td></td> <td>mm</td> <td>INCH</td> </tr> <tr> <td>4 PLACES</td> <td>± ---</td> <td>± ---</td> </tr> <tr> <td>3 PLACES</td> <td>± ---</td> <td>± ---</td> </tr> <tr> <td>2 PLACES</td> <td>± 0.2</td> <td>± ---</td> </tr> <tr> <td>1 PLACE</td> <td>± ---</td> <td>± ---</td> </tr> </table>		mm	INCH	4 PLACES	± ---	± ---	3 PLACES	± ---	± ---	2 PLACES	± 0.2	± ---	1 PLACE	± ---	± ---	DIMENSION STYLE MM ONLY	SCALE NTS	DESIGN UNITS METRIC	THIRD ANGLE PROJECTION	
		mm	INCH																			
	4 PLACES	± ---	± ---																			
	3 PLACES	± ---	± ---																			
	2 PLACES	± 0.2	± ---																			
1 PLACE	± ---	± ---																				
		<table border="1"> <tr> <td>DRAWN BY</td> <td>DATE</td> <td>TITLE</td> </tr> <tr> <td>KSEE</td> <td>2003/10/15</td> <td>MGRID, 2MM DUAL ROW HDR. R/A</td> </tr> <tr> <td>CHECKED BY</td> <td>DATE</td> <td></td> </tr> <tr> <td>KCLING</td> <td>2003/12/02</td> <td></td> </tr> <tr> <td>APPROVED BY</td> <td>DATE</td> <td></td> </tr> <tr> <td>SKTOH</td> <td>2003/12/11</td> <td></td> </tr> </table>	DRAWN BY	DATE	TITLE	KSEE	2003/10/15	MGRID, 2MM DUAL ROW HDR. R/A	CHECKED BY	DATE		KCLING	2003/12/02		APPROVED BY	DATE		SKTOH	2003/12/11		MOLEX INCORPORATED	
DRAWN BY	DATE	TITLE																				
KSEE	2003/10/15	MGRID, 2MM DUAL ROW HDR. R/A																				
CHECKED BY	DATE																					
KCLING	2003/12/02																					
APPROVED BY	DATE																					
SKTOH	2003/12/11																					
		DRAFT WHERE APPLICABLE MUST REMAIN WITHIN DIMENSIONS	MATERIAL NO. SEE TABLE	DOCUMENT NO. SD-87760-109	SHEET NO. 2 OF 2																	
			SIZE A3	THIS DRAWING CONTAINS INFORMATION THAT IS PROPRIETARY TO MOLEX INCORPORATED AND SHOULD NOT BE USED WITHOUT WRITTEN PERMISSION																		